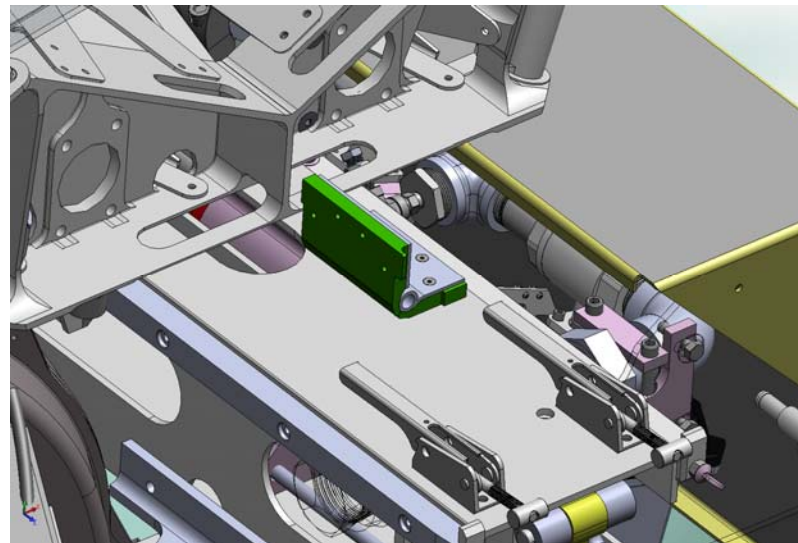




**Product Innovation Report**  
Mark 4 Launcher  
Stroke Limited Hold-forward  
5 November 2015



# Problem Identification

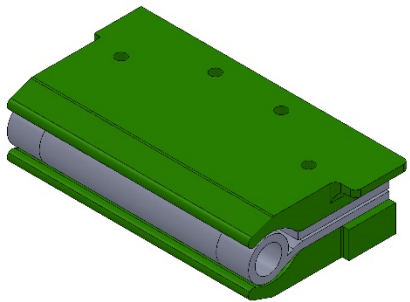
*as reported by a Hood Tech customer on 8 October 2015:*

“As we all know, there is potential for engagement with the Scaneagle carriage with the existing hold forward configuration and we see people removing these features in the field. We have also seen a few cases of carriages getting destroyed when the hold forward hinge remains installed.”

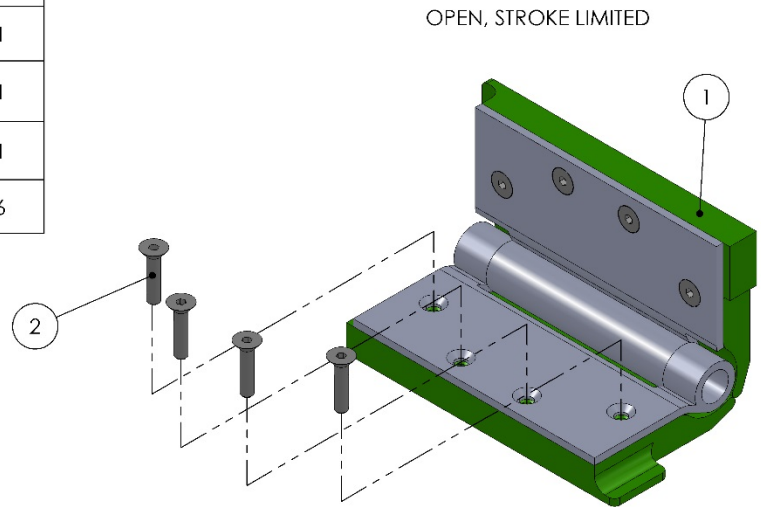
## Hood Tech Proposal: Improved billet design

- Modified aluminum billet with integrated stroke-limiting feature
- Confirmed clearance to both X-200 and X-300 carriages passing from front or rear
- Replaces existing hardware; exploits existing hole pattern
- Uses existing, proven spring-return hinge
- Cannot be rotated past vertical position
- Retrofit kit includes helical insert repair tools and replacement inserts, in case recipient is servicing a launcher with sheared hold-forward mounting screws or damaged mounting screw holes, damage resulting from attempts to remove original hold-forward device.

PARTS LIST		
REF	DESCRIPTION	QTY
1	HOLDFORWARD ASSEMBLY, STROKE LIMITED. GREEN ANODIZED ALUMINUM HOLDFORWARD BLOCKS IDENTIFY STROKE LIMIT FEATURE. ASSEMBLED WITH PS-870 OR PR-2870 CORROSION INHIBITING SEALANT PER HOOD TECH MECHANICAL HOLDFORWARD ASSEMBLY DOC.	1
2	MOUNTING FASTENERS, 316 SS #10-32 X .875" FHCS	4
NOT SHOWN	1/8" HEX WRENCH	1
NOT SHOWN	TEF-GEL CORROSION INHIBITING ANTISEIZE	1
NOT SHOWN	#10-32 HELICOIL PLUG TAP	1
NOT SHOWN	#7 (.2010" DIA) DRILL BIT, PILOT BIT FOR HELICOIL PLUG TAP	1
NOT SHOWN	#10-32 HELICOIL INSERTION TOOL	1
NOT SHOWN	#10-32 LOCKING HELICOILS (.190")	6



DEFAULT (CLOSED) CONFIGURATION. PREADJUSTED, SELF CLOSING HINGE.



**PROPRIETARY AND CONFIDENTIAL**  
 THE INFORMATION CONTAINED IN THIS DRAWING IS THE SOLE PROPERTY OF HOOD TECH CORP., MECHANICAL INC. ANY REPRODUCTION IN PART OR AS A WHOLE WITHOUT THE WRITTEN PERMISSION OF HOOD TECH CORP., MECHANICAL INC. IS PROHIBITED.

UNLESS OTHERWISE SPECIFIED:		NAME	DATE	Hood Tech Corp. Mechanical Inc.
DIMENSIONS ARE IN INCHES		RFH	11/5/2015	
TOLERANCES:		DRAWN		TITLE: Holdforward Assembly_stroke limited
FRACTIONAL ±1/128		CHECKED		
ANGULAR: MACH ± 1 BEND ±1		ENG APPR.		
ONE PLACE DECIMAL ±.060		MFG APPR.		
TWO PLACE DECIMAL ±.010		Q.A.		SIZE DWG. REV. PART REV.
THREE PLACE DECIMAL ±.005		COMMENTS:		<b>A</b> A-02 <b>A-11</b>
INTERPRET GEOMETRIC TOLERANCING PER:		DO NOT SCALE DRAWING		SCALE: 1:2 WEIGHT: SHEET 1 OF 1
MATERIAL				
FINISH				

5

4

3

2

1

# Implementation plan:

- Immediately begin delivering Mark 4 cores with the stroke-limited hold forward mechanism (pending customer consent).
- Cost increment = \$0
- Offer field-retrofit, stroke-limited hold-forward kits as aftermarket items

**Hood Tech Corp Mechanical Inc.**  
135 Country Club Road Building A  
Hood River, Oregon 97031  
541 387-2255

[info@hoodtechmechanical.com](mailto:info@hoodtechmechanical.com)